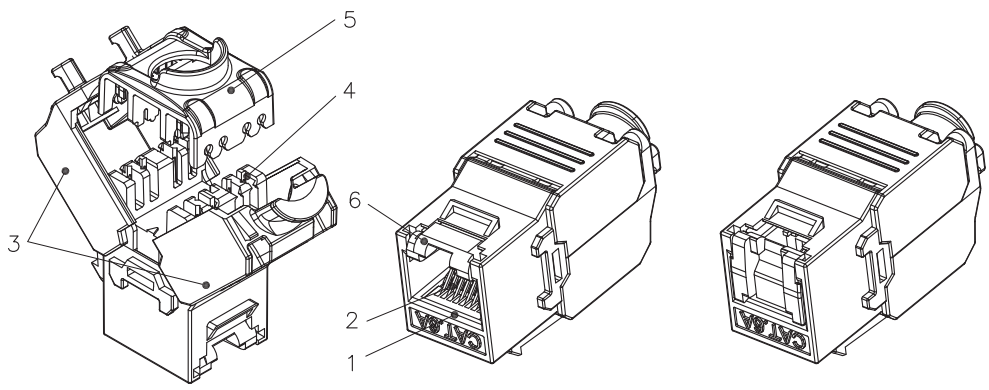
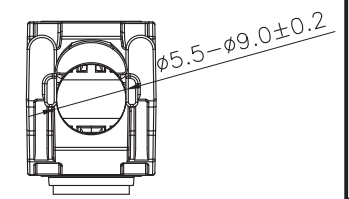
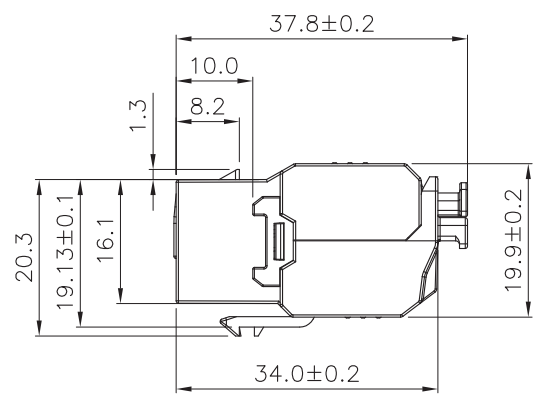
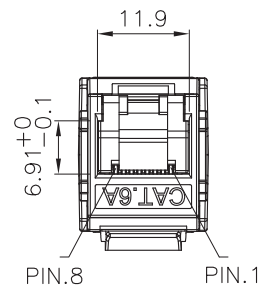


1 2 3 4 5 6

A



SCALE 1/1



A

B

B

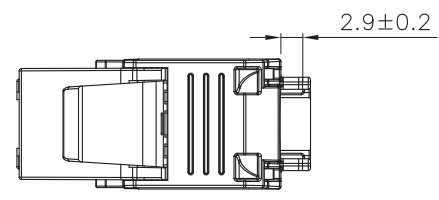
Specification :

Material :

1. RJ45 Jack :
 - 1-1. Housing : ABS+PC, UL 94-V0, black color.
 - 1-2. Contact Bracket : PC, UL 94-V2, transparent color.
2. RJ45 Jack Contact :
 - 2-1. Material : Phosphor bronze with nickel plated.
 - 2-2. Finish : 50 micro-inch gold plated on plug contact area.
3. Cap A&B : ABS+PC, UL 94-V0, black color.
4. IDC :
 - 4-1. Housing : PC, grey color(RAL7035), UL 94-V2.
 - 4-2. Terminal : Phosphor bronze with tin plated.
5. Cap : PC, white color, UL 94-V2.
6. Shutter : ABS+PC, UL 94-V0, white color.
7. PCB : FR4, UL 94-V0.

Performance :

- a. T568A & T568B wiring.
- b. Insertion Force : 20N max. (IEC 60603-7-4).
- c. Retention Strength : 7.7 kg between jack and plug.
- d. Operating Temperature : -10°C to 60°C. (ISO/IEC 11801, ANSI/TIA 568 C.2).
- e. Life(mating cycles) :
 - e-1. Jack : 750 cycles min. (ISO/IEC 11801, IEC 60603-7-4).
 - e-2. IDC : Suitable for 23-26 AWG stranded and solid wire.
- f. The Cat.6A transmission performance is in compliance with the ANSI/TIA 568 C.2 standard.



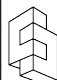
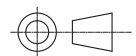
Remark : AADBH01116040 XX
(1)
(1)XX : Housing color
01=black, 0 =white

C

C

D

D

GENERAL TOLERANCE OF DIMENSIONS X.XXX ±0.005 X.XX ±0.05 X.X ±0.1	DRAWING	18.AUG.2018	LOVE	 CRXCONEC CRXCONEC COMPANY LTD.	
	CHECK	18.AUG.2018	DAY		
	APPROVAL	18.AUG.2018	FRANK		
		DATE	NAME		ITEM NO.: CC-04-00004
	SCALE	1/1 (A4)	UNIT	mm	DES.: CAT.6A UNSHIELDED KEYSTONE JACK
		DRAWING NO.	AADBH01116040	KJ88F-6A-US/BK-D	
		DRAWING CLASSIFICATION	S	SHEET	1 OF 1

1 2 0 3 4 10cm 5 6